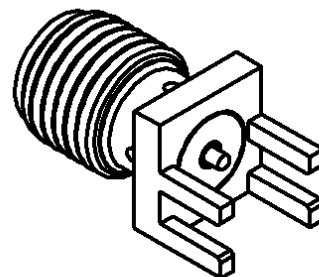
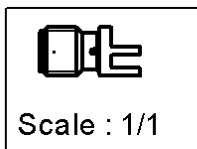
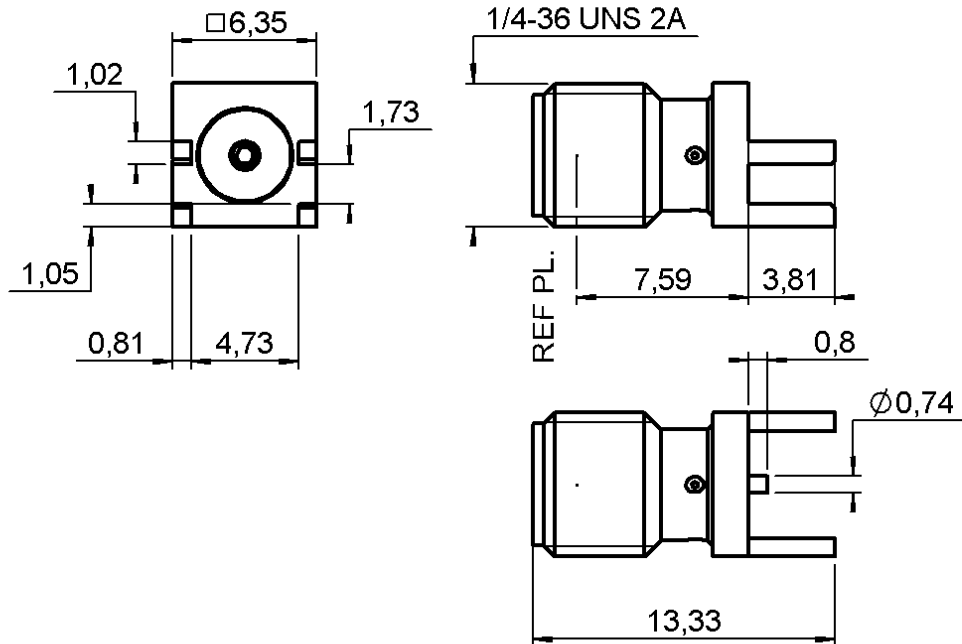


**STRAIGHT JACK RECEPTACLE FOR PCB**

**R124.423.223**

**SMT TYPE - EDGE CARD.**

Series : SMA-COM



All dimensions are in mm.

| COMPONENTS            | MATERIALS               | PLATING                          |
|-----------------------|-------------------------|----------------------------------|
| <b>BODY</b>           | <b>BRASS</b>            | <b>GOLD 0.5 OVER NICKEL 2 μm</b> |
| <b>CENTRE CONTACT</b> | <b>BERYLLIUM COPPER</b> | <b>GOLD 1.3 OVER NICKEL 2 μm</b> |
| <b>OUTER CONTACT</b>  | -                       | - μm                             |
| <b>INSULATOR</b>      | <b>PTFE</b>             |                                  |
| <b>GASKET</b>         | -                       |                                  |
| <b>OTHERS PARTS</b>   | -                       | - μm                             |
| -                     | -                       | -                                |
| -                     | -                       | -                                |



Edition : 0020 A

Design changes may be in order to improve the product.

**STRAIGHT JACK RECEPTACLE FOR PCB**

**R124.423.223**

**SMT TYPE - EDGE CARD.**

Series : **SMA-COM**

**ELECTRICAL CHARACTERISTICS**

|                                 |              |                              |
|---------------------------------|--------------|------------------------------|
| Impedance                       |              | <b>50</b> Ω                  |
| Frequency                       |              | <b>0-18</b> GHz              |
| VSWR                            | <b>1.14+</b> | <b>0.000</b> x F(GHz) Maxi   |
| Insertion loss                  |              | <b>0.05</b> √F(GHz) dB Maxi  |
| RF leakage                      | - (          | <b>100</b> - F(GHz)) dB mini |
| Voltage rating                  |              | <b>500</b> Veff Maxi         |
| Dielectric withstanding voltage |              | <b>1000</b> Veff mini        |
| Insulation resistance           |              | <b>5000</b> MΩ mini          |

**SPECIFICATION**

**ENVIRONMENTAL**

|                            |                     |
|----------------------------|---------------------|
| Operating temperature      | <b>-65/+165</b> °C  |
| Hermetic seal              | <b>NA</b> Atm.cm3/s |
| Leakage – pressurised only | <b>NA</b> Mpa       |

**OTHERS CHARACTERISTICS**

Assembly instruction **NA**

Others :  
-

**MECHANICAL CHARACTERISTICS**

|                            |  |                        |
|----------------------------|--|------------------------|
| Centre contact retention   |  |                        |
| Axial force – Mating end   |  | <b>27</b> N mini       |
| Axial force – Opposite end |  | <b>27</b> N mini       |
| Torque                     |  | <b>2.8</b> N.cm mini   |
| Recommended torque         |  |                        |
| Panel nut                  |  | <b>NA</b> N.cm         |
| Mating life                |  | <b>100</b> Cycles mini |
| Weight                     |  | <b>1.360</b> g         |



**Edition : 0020 A**

Design changes may be in order to improve the product.

**STRAIGHT JACK RECEPTACLE FOR PCB**

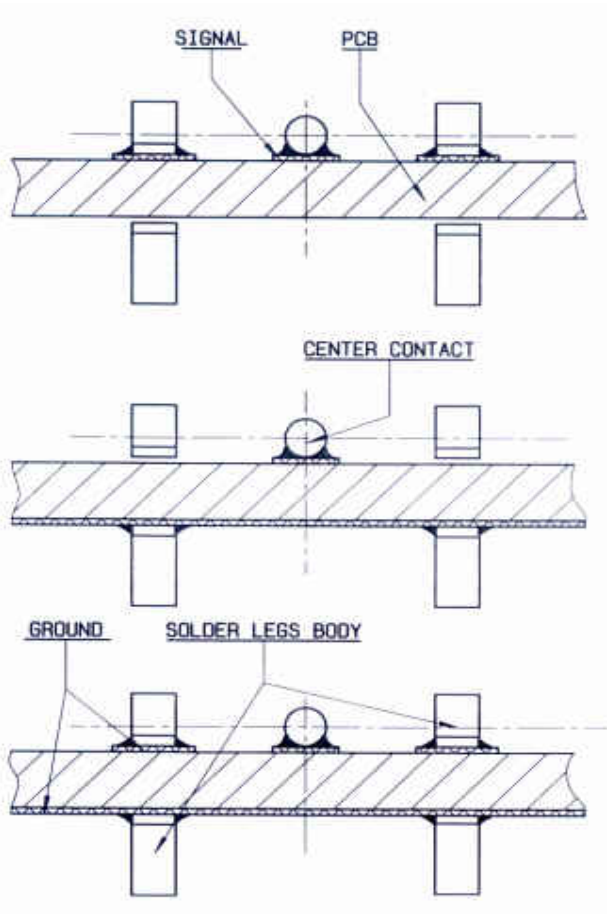
**R124.423.223**

**SMT TYPE - EDGE CARD.**

Series : SMA-COM

**MOUNTING TYPE**

**This type of connector is adapted to one specific PCB thickness .  
It can be used with different ways of transmission .**



1- COPLANAR LINE  
Signal and ground are coplanar .

2 – MICROSTRIP LINE  
Signal and ground are opposite .

3 – Coplanar and opposite grounds .

**Solution 3 features a stronger mechanical retention on the PCB because the 4 leads are soldered**



